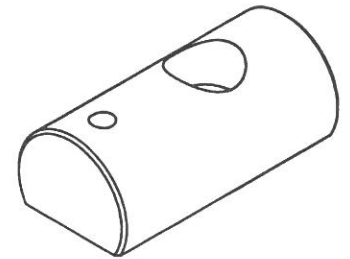
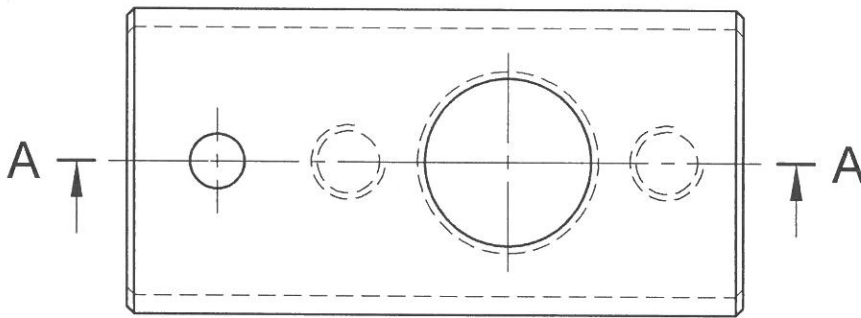
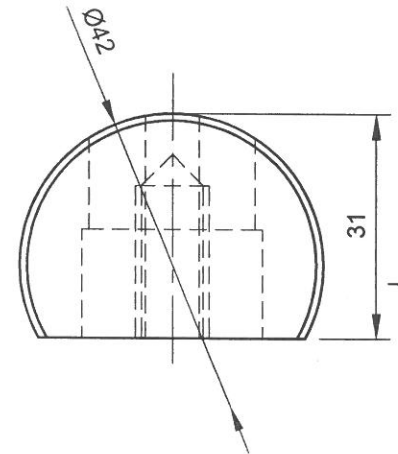
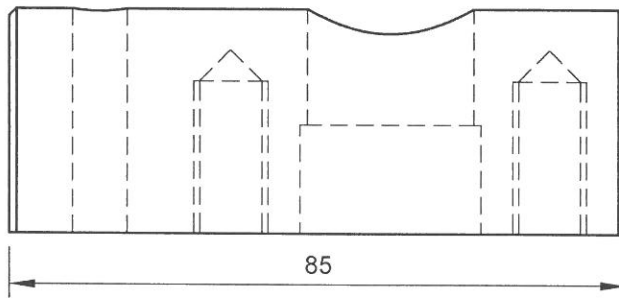
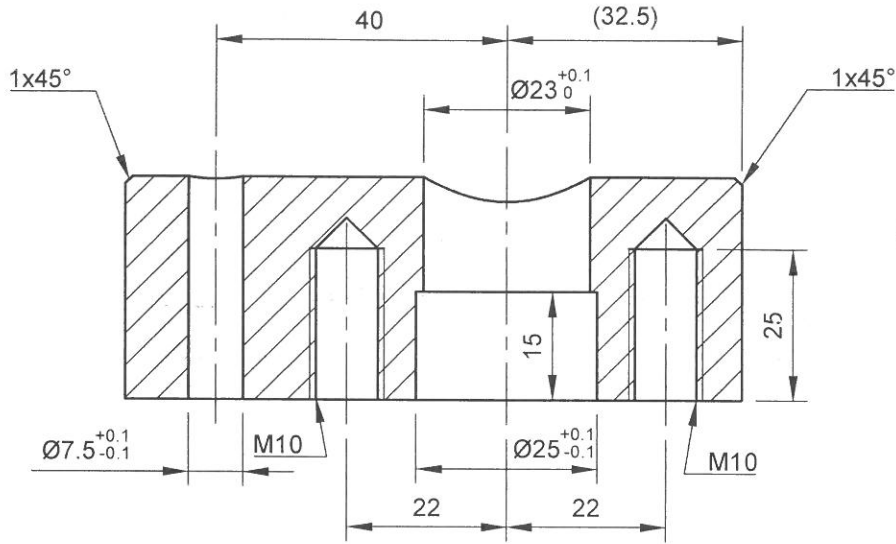


A-A (1:1)

UWAGI:  
 materiał: C45  
 twardość: 40-45 HRC



|       |                     |  |                       |
|-------|---------------------|--|-----------------------|
| Dept. | Technical reference | Created by<br>B-D Techniczny 2020-12-04  | Approved by           |
|       |                     | Document type                            | Document status       |
|       |                     | Title<br>gniazdo matrycy<br>dwuotworowej | DWG No.<br>BD-04.14/U |
|       |                     | Rev.                                     | Date of issue         |
|       |                     |  | Sheet<br>1/1          |